

Circulate to:  Sales Manager  Accounting  Service Manager  Technician  Parts Manager

## Replacement Kits for Thunderbolt IV Ignition Control Module

### Models Affected

All MerCruiser models with Thunderbolt IV ignition systems.

### Situation

Replacement Thunderbolt IV ignition control modules (ICMs) no longer come with the adapter harness (15275A1). This adapter harness was required when replacing an original Thunderbolt IV ICM with a second-generation Thunderbolt IV ICM.

Second-generation Thunderbolt IV ICMs are still available (without the adapter harness).

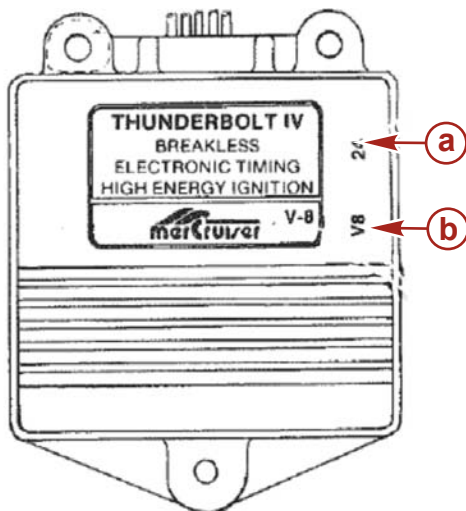
### Correction

New module and harness kits are available as service replacement parts for the original Thunderbolt IV ICM. Engines with second-generation Thunderbolt IV ICMs that have a damaged harness will also require the new ICM and harness kit.

## Identifying the Type of Thunderbolt IV Module

### Original Thunderbolt IV ICM

This module is mounted on the exhaust elbow and has an aluminum housing.



#### Original Thunderbolt IV ICM

- a - Spark advance (degrees)
- b - Engine type

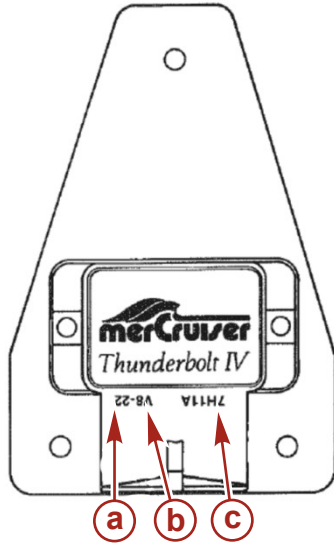
43132

THE INFORMATION IN THIS DOCUMENT IS CONFIDENTIAL AND PROTECTED BY COPYRIGHT AND IS THE PROPERTY OF MERCURY MARINE.

This document is provided for the sole and exclusive use of the original recipient as prescribed by Mercury Marine and may not be distributed or copied, digitally or otherwise, without the prior written consent of Mercury Marine.

## Second-Generation Thunderbolt IV Ignition Control Module

This module is mounted on a triangular plate and requires the use of adapter harness 15275A1.



### Second-generation Thunderbolt IV ICM on a triangular plate

- a** - Spark advance (degrees)
- b** - Engine type
- c** - Vendor code

43133

**IMPORTANT:** Adapter harness (15275A1) is no longer available from the manufacturer. If this harness is damaged and needs to be replaced, a new ignition control module and harness kit must be ordered.

## Ordering Replacement Modules and Module Harness Kits

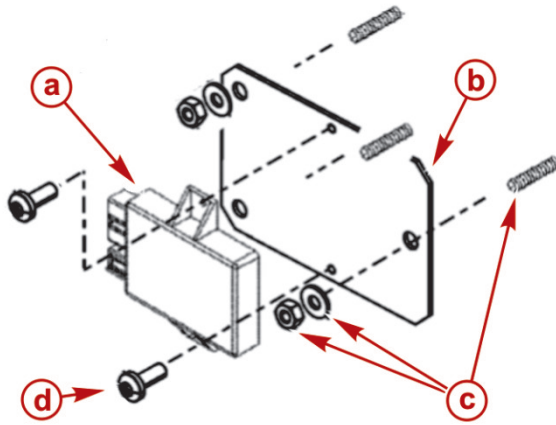
Use the engine serial number and the MerCruiser Electronic Parts Catalog to determine the appropriate ICM or ICM harness adapter kit for your engine.

Engine	Stamp on Module	Previous Thunderbolt IV ICM Kit	Second-Generation Thunderbolt IV ICM (without adapter harness)	Replacement ICM Conversion Kit (includes harness adapter)
1987–1993 MCM 4.3L engines	V6-14	15247A1	15247T01	15247T02
5.0L, 5.7L and 7.4L engines	V8-24	15248A1	15248T01	15248T02
5.0L and 5.7L engines	V8-22	15899A1	15899T01	15899T02
5.7L and 525 SC	V8-22A	814295A1	15899T01	15899T02
5.7L engines	V8-24S	821125A1	821125T01	821125T02
502 Mag, 8.2L, 600SC and 800SC	V8 20R	817509T	817509T	879288A10

THE INFORMATION IN THIS DOCUMENT IS CONFIDENTIAL AND PROTECTED BY COPYRIGHT AND IS THE PROPERTY OF MERCURY MARINE.

This document is provided for the sole and exclusive use of the original recipient as prescribed by Mercury Marine and may not be distributed or copied, digitally or otherwise, without the prior written consent of Mercury Marine.

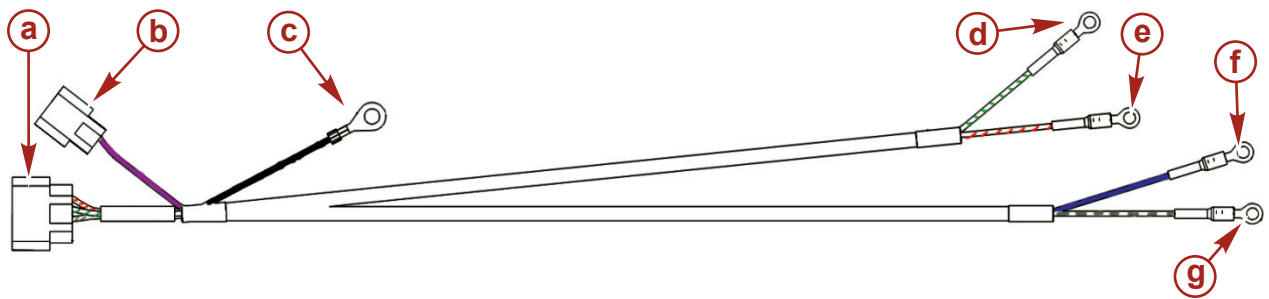
## New ICM Replacement Kits



### ICM and bracket assembly

- a - ICM
- b - Mounting bracket
- c - Hardware from exhaust elbow
- d - Screw (2)

42114



42130

### New harness assembly

- a - 8-pin connector
- b - 4-pin connector
- c - Black ground wire (-)
- d - White/green wire
- e - White/red wire (+)
- f - Purple wire
- g - Gray/white wire

THE INFORMATION IN THIS DOCUMENT IS CONFIDENTIAL AND PROTECTED BY COPYRIGHT AND IS THE PROPERTY OF MERCURY MARINE.

This document is provided for the sole and exclusive use of the original recipient as prescribed by Mercury Marine and may not be distributed or copied, digitally or otherwise, without the prior written consent of Mercury Marine.